



17" Multi-format LCD Monitor

**DT-E17L4G**

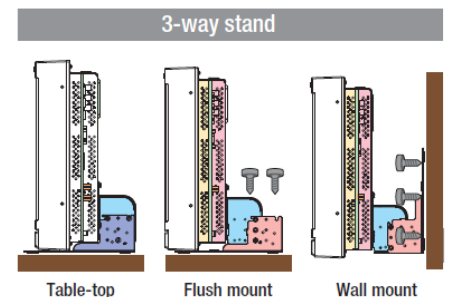
21" Multi-format LCD Monitor

**DT-E21L4**



## HIGHLIGHTS

- **HD-SDI and HDMI compatible**  
Compatible with both HD-SDI and HDMI signals for HD video contents monitoring
- **Full HD Resolution**  
1980 x 1080 pixel Full HD resolution panel
- **Composite Video In/Out, Component Video In, Analog RGB Video In, HDMI In, HD/SD-SDI In/Out**
- **3-Way stand for versatile installation**
- **Mercury-free LED Backlight**
- **10bit Color Processing**
- **16ch Audio Level Indicator for Embedded Audio**
- **Other features**
  - Glare surface 600:1 contrast ratio panel for DT-E17L4G
  - Non-glare surface 1,000:1 contrast ratio panel for DT-E21L4
  - 16.7 million display colors
  - Area/Center / Aspect marker
  - LTC & VITC time code support
  - IMD (TSL protocols Ver. 4.0) support
  - Built-In Speakers

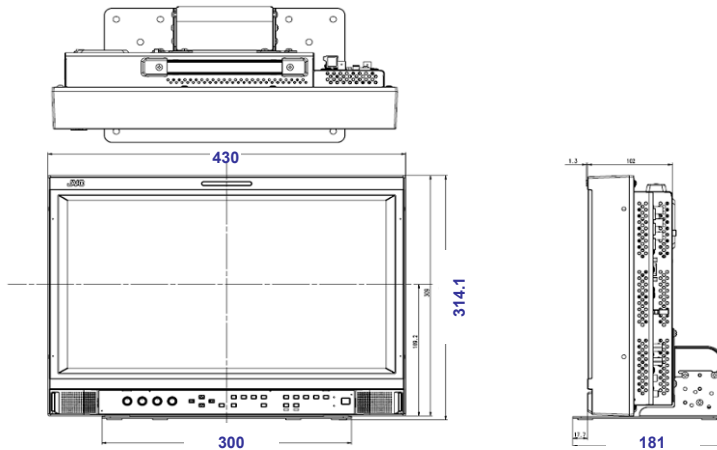


**New Product News**

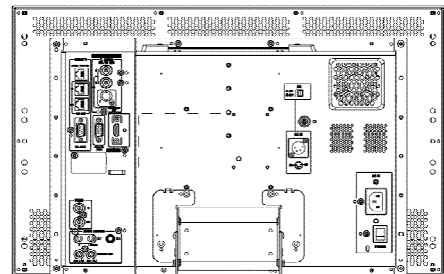
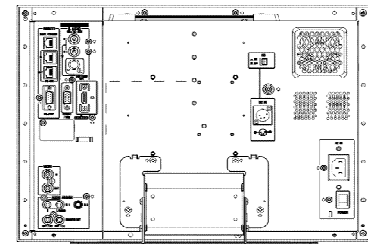
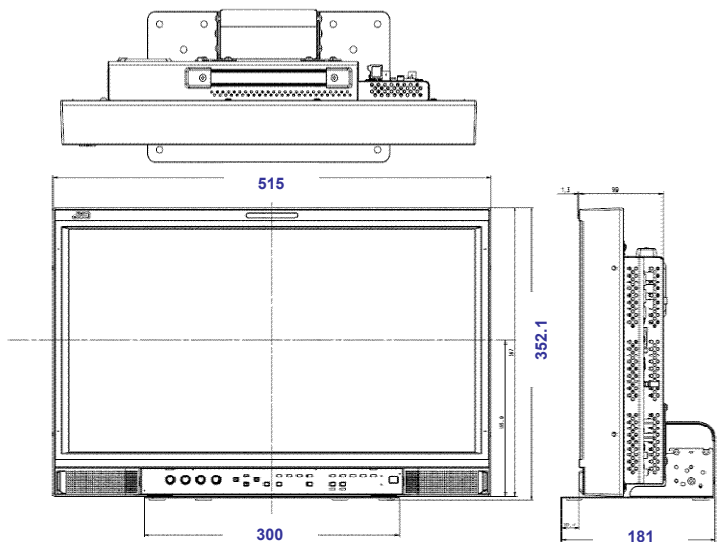
# DT-E series

General Specification		DT-E17L4G	DT-E21L4
Display Device	Display Type	17" LCD Display	21.5" LCD Display
	Aspect Ratio	16:9	16:9
	Pixel number	1920 (H) x 1080(V)	1920 (H) x 1080(V)
	Panel surface	Glare	Non-Glare
	Viewing Angle	H:160deg V:140deg	H:170deg V:160deg
	Contrast Ratio	600:1	1,000:1
	Display color	16.7M colors	16.7M colors
	Backlight	LED	LED
Dimension	VESA standard	100mm x 100mm (M4 x4)	100mm x 100mm (M4 x4)
	Width	430 mm	515 mm
	Height	314.1mm	352.1 mm
	Depth	181 mm	181 mm
Weight	Weight	7.1kg/5.6kg (without stand)	7.7kg/6.2kg (without stand)
Power Requirement	AC	120, 220-240V 50/60Hz	120, 220-240V 50/60Hz
	DC	12~17V	12~17V
External In / Out	Video IN/OUT	Composite Video IN: BNC x 1 Composite Video OUT: BNC x1 Loop through	Composite Video IN: BNC x 1 Composite Video OUT: BNC x1 Loop through
	Component Analog RGB In	Mini D-Sub 15 pin x 1	Mini D-Sub 15 pin x 1
	HDMI In	HDMI Connector x 1	HDMI Connector x 1
	HD/SD-SDI	IN: BNC x2 OUT: BNC x1 (Switched / reclocked out)	IN: BNC x2 OUT: BNC x1 (Switched / reclocked out)
	Audio	IN: RCA x 2 (L/R) 3.5mm Stereo mini jack x 1 OUT: RCA x 2 (L/R) Monitor Out	IN: RCA x 2 (L/R) 3.5mm Stereo mini jack x 1 OUT: RCA x 2 (L/R) Monitor Out
	Remote	MAKE/TRIGGER: RJ-45(8-pin) x 1 RS-485 IN: RJ-45 (8-Pin) x 1 RS-485 OUT: RJ-45 (8-Pin) x 1 RS-232C: D-sub (9-pin) x 1	MAKE/TRIGGER: RJ-45(8-pin) x 1 RS-485 IN: RJ-45 (8-Pin) x 1 RS-485 OUT: RJ-45 (8-Pin) x 1 RS-232C: D-sub (9-pin) x 1
	Audio	Speaker Output Power	1W x 2

**DT-E17L4G**



**DT-E21L4**



E. and O.E. Design and specifications subject to change without notice

**JVC**